



IMPORTANT SAFETY PRECAUTIONS



READ ALL INSTRUCTIONS

BEFORE USING THE PRODUCT. KEEP THESE INSTRUCTIONS FOR FUTURE REFERENCE.

IMPORTANT SAFEGUARDS


- This is a wet and dry heat soup kettle.
- This appliance must not be used by children younger than 8 years old and persons with very extensive and complex disabilities. Children aged 8-14 years and persons with reduced physical, sensory or mental capabilities or lack of experience and knowledge shall not use this appliance, unless they are supervised and have been given instruction concerning the use of the appliance in a safe way and understand the hazards involved. Close supervision is necessary when any appliance is used by or near children. Children shall be supervised to ensure that they do not play with the appliance. Cleaning and user maintenance shall not be made by children unless they are older than 8 and supervised. Keep the appliance and its cord out of reach of children less than 8 years old. **Risk of fire, electric shock, scalding and injury to persons.**
- This appliance is intended for indoor professional use only. Do not use outdoors.
- This appliance is intended to be used for commercial applications, for example in kitchens of restaurants, canteens, hospitals and in commercial enterprises such as bakeries, butcheries, etc., but not for continuous mass production of food.
- This appliance is not intended to be used by laymen in household and similar applications such as:
 - Staff kitchen areas in shops, offices and other working environments
 - Farmhouses
 - Hotel rooms, Motel rooms and other residential type environments
 - Bed and breakfast type environments
- This appliance is only to be installed in locations where its use and maintenance is restricted to trained personnel.

Electrical Safety

- Before plugging in, check that the voltage on the rating label is the same as the mains supply. **Risk of electric shock and fire.**
- Never plug an appliance into a socket/outlet with other appliances connected to it or a socket/outlet with additional features such as, but not limited to, USB sockets, built-in Wi-Fi boosters, remote Wi-Fi/Bluetooth or similar smart switching functionality. Failure to do this may cause an overload, trip a circuit breaker or blow a fuse. **Risk of electric shock and fire or damage to socket/outlet and plug.** The socket/outlet should be protected by a Residual Current Device (RCD).
- Unplug from outlet when not in use and before cleaning. Allow to cool before putting on or taking off parts. **Risk of fire, electric shock, scalding or injury to persons.**
- Do not immerse in water or other liquids. **Risk of electric shock and fire.**
- NOTE: Any plug cut from the power supply cord should be disposed of immediately. Inserting any cut off plug into a socket-outlet is hazardous. **Risk of electric shock and fire.**
- Do not operate any appliance with a damaged lead or plug, or after the appliance malfunctions or has been dropped, damaged or cracked in any manner. **Risk of electric shock and fire.**
- In order to avoid a hazard, if the Power Cord is damaged it must, for safety reasons, be replaced by Dualit or a qualified electrician. Call Dualit's Customer Helpline on +44 (0)1293 652 500. **Risk of electric shock and fire.**
- Never use the plug without the fuse cover fitted. Ensure replacement fuse is the same current value as the original. Replacement fuses are available and should be ASTA approved to BS1362. **Risk of electric shock and fire.**
- WARNING! This appliance must be earthed. **Risk of electric shock and fire.**

General Safety

- Do not place on or near a hot gas or electric burner or in a heated oven. **Risk of fire.**
- Do not allow cable to touch hot surfaces, or to hang over edge of a table or counter top. **Risk of fire or electric shock.**
- Keep the appliance and its Power Cord out of reach of children. **Risk of fire, electric shock and injury to persons.**
- Do not use appliance for any purpose other than the intended use. **Risk of fire, electric shock, scalding or injury to persons.**

-  Accessible surfaces of the appliance may get hot during use. Therefore use handles or knobs. **Risk of burns.**
- Do not move or carry the appliance when hot, full or switched on. **Risk of burns and scalding.**
- The use of accessory attachments not recommended by Dualit may result in **fire, electric shock or injury to persons.**
- Do not operate the appliance on an inclined plane. **Risk of scalding.**
- Do not use if dropped, cracked or damaged. **Risk of burns and electric shock.**
- Do not store or use in an appliance garage or under cupboards. **Risk of fire.**
- When in use a fire may occur if the appliance is covered or touching flammable material, including curtains, draperies, walls and the like. **Risk of fire.**
- A short Power Cord is provided to reduce risks resulting from becoming entangled in or tripping over a longer cord. **Risk of scalding.**
- Keep the appliance empty when not in use. **Risk of damage and injury to persons.**
- Do not operate the appliance empty. **Risk of fire.**
- The food item must be heated prior to using the soup kettle. The kettle is designed to keep food warm, not for cooking. **Risk of damage and injury to persons.**
- Do not overfill. **Risk of burns and scalding.**
- Always operate appliance with lid in place, spillage may occur if the lid is damaged or incorrectly fitted. **Risk of burns and scalding.**
- The appliance must not be cleaned by a water jet or steam cleaner. **Risk of burns and scalding.**
- Check the water level every 15 minutes to ensure it is between the minimum and maximum mark. Refill as necessary. **Risk of burns and electric shock.**
- This appliance is not intended to stand on the floor. It must only be used when standing on a table or work surface. **Risk of fire, electric shock, scalding and injury to persons.**
- Remove all packaging before use. **Risk of fire.**

SAVE THESE INSTRUCTIONS

In the interest of improving products, Dualit Ltd. reserves the right to change the product specification without prior notice. All illustrations are for representation only, your model may vary from illustrations shown.



INSTRUCTIONS ON ENVIRONMENT PROTECTION

Do not dispose of this product in the usual household garbage at the end of its life cycle. Please hand it over to a collection point for the recycling of electrical and electronic appliances. The symbol on the product, the instruction of use or the packaging will inform you about the methods of disposal. The materials are recyclable as mentioned on its marking. By recycling, material recycling or other forms of re-utilization of old appliances you are making an important contribution to protect our environment. Please enquire at the community administration for the authorised disposal location.

IMPORTANT: BEFORE FIRST USE

- Read this instruction manual before you start using the appliance. It gives you important safety information and will ensure you get the most out of your Dualit product.
- Make sure all people associated with the appliance's use understand the operation and safety before they use the unit.
- Keep this manual and your proof of purchase in a safe place.
- Don't forget to register your product at www.dualit.com/register.
- When you turn the appliance on for the first time, a "new" smell may be given off; this will dissipate after a few uses.
- Unpack the box with care, keeping all the packaging materials until you are satisfied everything is present and in working order. Once satisfied recycle the packaging appropriately.

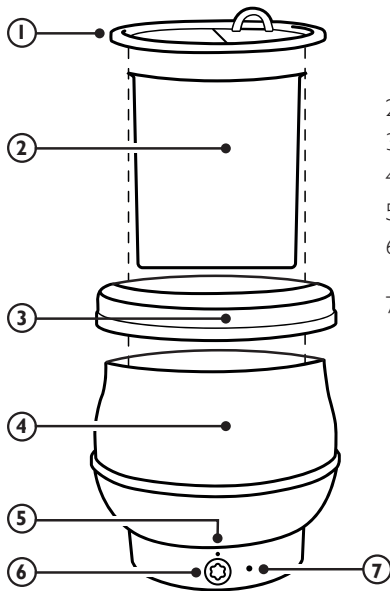


DONT FORGET TO REGISTER YOUR PRODUCT

www.dualit.com/register | BY POST



KNOW YOUR SOUP KETTLE



1. Hinged lid
2. Stainless steel liner
3. Collar
4. Main body
5. Setting indicator
6. Temperature control
'0' = Off position
7. Power light

Place collar on top of main body and insert the stainless steel liner into the main body. Once assembled the liner will hold the collar and lid in place.

Plug unit into correct electrical socket.

This appliance is suitable for **wet and dry heat operation**.

For wet operation, add 200ml of water into the inner casting. The water level **must not** exceed the height of the eight water level markers at the base of the casting. The inner stainless steel liner **must not** float up, even when empty. Should it do so the inner casting has been overfilled with water and the excess water should be removed immediately. Check every 15 minutes and refill if water level gets low, do not let it evaporate and heat empty.

The temperature control should be set between 1 and 8 and this should provide enough heat to keep food at correct temperature.

For dry operation the simmerstat must be increased by one number to maintain the equivalent temperature needed by the wet method.

Add your already heated food items into the stainless steel liner.

To turn on, rotate the temperature knob clockwise to the desired setting. The power light will then come on.

Always operate the soup kettle at the lowest possible temperature in order to minimise electricity costs.

Actual operating temperatures vary depending on; type and volume of food being kept warm, ambient air temperature, lid in place or removed, and ventilation.

It is the users responsibility to ensure food being served is kept warm at the correct temperature.

Attach the soup of the day label into the groove, located on the soup kettle body near the collar.

To switch off, turn the dial to '0'. Unplug from the wall socket to isolate kettle from the electrical supply.

Always keep the removable hinged lid attached and in the closed position when not serving.

Never move or carry the kettle when unit is switched on, or containing food. Switch off, unplug and disassemble before cleaning.

SETTING UP

Thoroughly wash the stainless steel liner and lid in warm soapy water.

Do not store or use in an appliance garage, under cupboards, near curtains or flammable material. A fire may occur if incorrectly positioned. Position main body on an open, level surface and ensure the soup kettle is at least 200mm clear from overhanging cupboards and walls.

CLEANING & CARE

Switch the soup kettle off, remove the plug from the wall socket and let the soup kettle cool down before you start cleaning it.

Do not let the main body, flex or plug get wet. Wipe the outside of the soup kettle with a soft moist cloth and dry it with another cloth. Spilled food should be removed immediately from all exterior surfaces. The stainless steel bain marie and lid are machine washable. The soup kettle must not be cleaned with a high pressure jet.

GUARANTEE

This appliance is of excellent quality and construction. However, if any defects in materials or workmanship do appear during the relevant guarantee period, we will, at our discretion, either repair or replace the defective parts, free of charge, subject to the terms and conditions of our Guarantee shown below.

This Guarantee covers both parts and labour. Carriage is not included.

Your Guarantee period is as follows:

- 1 year

This Guarantee provides benefits which are additional to, and do not affect, your statutory rights. This Guarantee does not cover the cost of returning the product to the dealer from whom it was purchased or to ourselves. This Guarantee applies only to products sold and located in mainland Great Britain. It does not cover liability in respect of or replacement of plugs, cables or fuses and also does not cover defects due to:

- Failure to use or maintain product in accordance with Dualit's instructions.
- The product being connected to an unsuitable electricity supply.
- Accidental damage to or abuse or misuse of the product.
- Product modification, except by Dualit or approved agent.
- Dismantling of or interference with the product.
- Theft or attempted theft of the product.

Before returning any product under this Guarantee, please check that:

- You have followed the product instructions correctly.

- Your mains electricity supply is functional.

- The defect is not due to a blown fuse.

If you wish to claim under this guarantee you should:

- Send the product, postage or carriage paid, to the dealer from whom it was purchased or to Dualit direct.

- Ensure that the product is clean and packed carefully (preferably in its original carton).
- Enclose details of your name, address and telephone number and when and where the product was purchased, together with proof of purchase (e.g. a till receipt).
- Give exact details of the nature of the defect.

This Guarantee does not cover any other claims whatsoever, including, without limitation, any liability for incidental, indirect or consequential damage, nor does it cover any claims for conversion or modification or for the costs of repair carried out by any third party without the prior consent of Dualit. If replacement parts are fitted to the product this will not extend the period of the Guarantee.

For further advice contact the Dualit customer helpline on +44 (0)1293 652 500 (09:00 to 17:00 Monday to Friday).

Alternatively, email Dualit at info@dualit.com or visit www.dualit.com